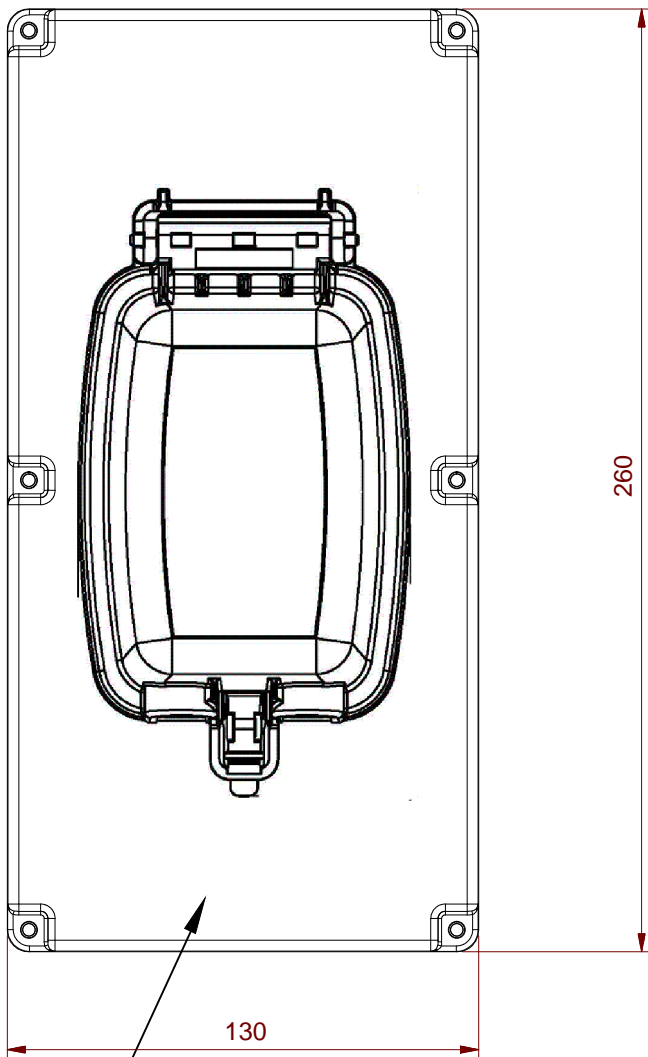
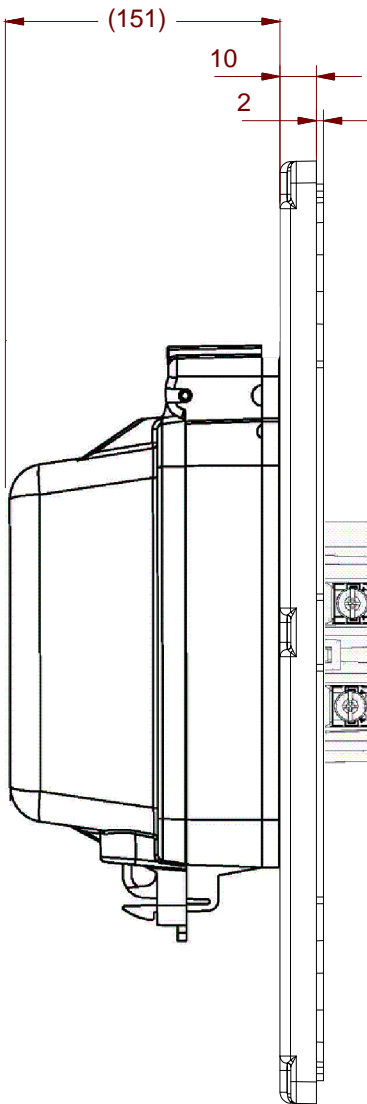


REVISIONS

REV	DATE	CHANGE	CHNG	CHCK	APPR



THERMOPLASTIC COVER
WITH DUPLEX 20A 125V DUPLEX
GFCI OUTLET
AND RAIN TIGHT WHILE
IN USE COVER

NOTE: FOR USE WITH PDI P/N:
579.5100, 579.5110, 579.5111, 579.5112
579.5120 & 579.5121, 579.5122

TOLERANCE
UNLESS OTHERWISE SPECIFIED

- X ± 1
- X.X ± 0.2
- X.XX ± 0.13

Power Dynamics, Inc.

Phone: 973 560-0019 Whippany, New Jersey Fax: 973 560-0076

PART: COVER PLATE WITH DUPLEX 20A GFCI
OUTLET AND RAIN TIGHT WHILE IN USE COVER

DRAWN BY	PB	DATE:	1/12/17
CHECK BY		DATE:	
APPR BY		DATE:	

PART #:	SW2421	SHEET	1 of 1
SIZE:	A	ALL DIMENSIONS FOR REFERENCE ONLY DIMENSIONS ARE IN MILLIMETERS	
SCALE:	NTS	REV:	